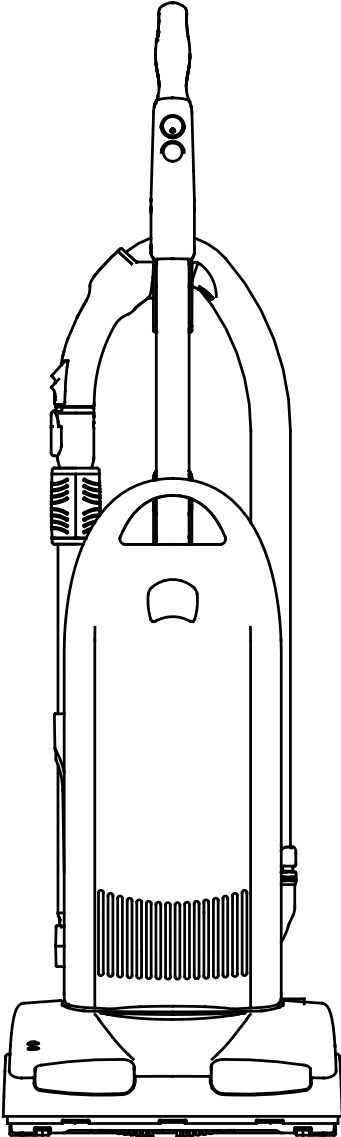


RICCAR®



Owner's Manual R30D & R30PET

Getting Started

| | |
|-------------------------------------|---|
| Important Safety Instructions | 2 |
| Polarization Instructions | 3 |
| Description of the Vacuum | 4 |

Assembling the Vacuum

| | |
|--------------------------------|---|
| Attaching the Handle | 6 |
| Unwinding the Power Cord | 6 |

Operation

| | |
|--------------------------------------|---|
| Reclining the Handle | 7 |
| Vacuumping Carpet | 7 |
| Bare Floor Cleaning | 7 |
| Brushroll Auto Shutoff Feature | 7 |
| Dirt Sensing Display | 8 |
| Carpet Height Adjustment | 8 |
| Vacuumping Under Furniture | 9 |
| Carrying the Vacuum | 9 |

Attachment Cleaning

| | |
|---|----|
| Wand Cleaning | 10 |
| Cleaning Tools | 11 |
| Adjusting the Suction Power for Tool Cleaning | 12 |
| Disconnecting the Hose..... | 12 |

Maintenance and Care

| | |
|--|----|
| Annual Checkup | 13 |
| Power Cord Care | 13 |
| When to Change The Vacuum Bag/Full Bag Indicator Light | 13 |
| Replacing the Vacuum Bag | 14 |
| When to Change the Filters | 15 |
| Replacing the HEPA Media Filter | 15 |
| Replacing the Charcoal Filter | 16 |
| Replacing the Granulated Charcoal Filter | 16 |
| Replacing the Direct Air Motor Filter | 17 |
| Lifetime Belt | 17 |
| Jammed Brushroll | 18 |
| Thermal Motor Protection | 19 |

Problem Solving Guide

| | |
|---|----|
| Troubleshooting | 20 |
| Visit Riccar Vacuums Online | 20 |
| How to Contact Your Authorized Retailer | 20 |
| Key Replacement Parts | 20 |
| For Best Performance | 20 |

| | |
|-----------------------|----|
| Warranty | 21 |
|-----------------------|----|

IMPORTANT SAFETY INSTRUCTIONS

When using an electrical appliance, basic precautions should always be followed, including the following:

READ ALL INSTRUCTIONS BEFORE USING THIS APPLIANCE. FOR HOUSEHOLD USE ONLY.

IMPORTANT: The manufacturer cannot accept responsibility for damage caused when the appliance is not used according to the instructions, or for uses other than those for which it was intended.

WARNING: To reduce the risk of fire, electric shock, damage or injury:

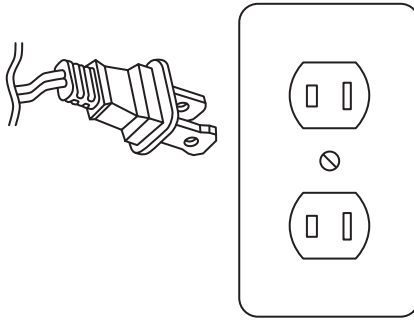
- Do not leave appliance when plugged in. Unplug from outlet when not in use and before servicing.
- Do not use outdoors or on wet surfaces.
- Do not allow to be used as a toy. Close attention is necessary when used by or near children.
- Use only as described in this manual. Use only manufacturer's recommended attachments.
- Do not use with a damaged cord or plug. If appliance is not working as it should, has been dropped, damaged, left outdoors, or dropped into water, return it to your Authorized Riccar Retailer for service.
- Do not pull or carry by the cord, use the cord as a handle, close a door on the cord, or pull the cord around sharp edges or corners. Do not run appliance over the cord. Keep the cord away from heated surfaces.
- Do not unplug by pulling on the cord. To unplug, grasp the plug, not the cord.
- Do not handle the plug or appliance with wet hands.
- Do not put any object into openings. Do not use with any opening blocked; keep free of dust, lint, hair and anything that may reduce air flow.
- Keep hair, loose clothing, fingers and all parts of the body away from openings and moving parts.
- Do not pick up anything that is burning or smoking, such as cigarettes, matches or hot ashes.
- Do not use without a vacuum bag and/or filters in place.
- Turn off all controls before unplugging.
- Use extra care when cleaning on stairs.
- Do not use to pick up flammable or combustible liquids such as gasoline or use in areas where they may be present.
- Do not attempt to service the unit while appliance is plugged in.

SAVE THESE INSTRUCTIONS

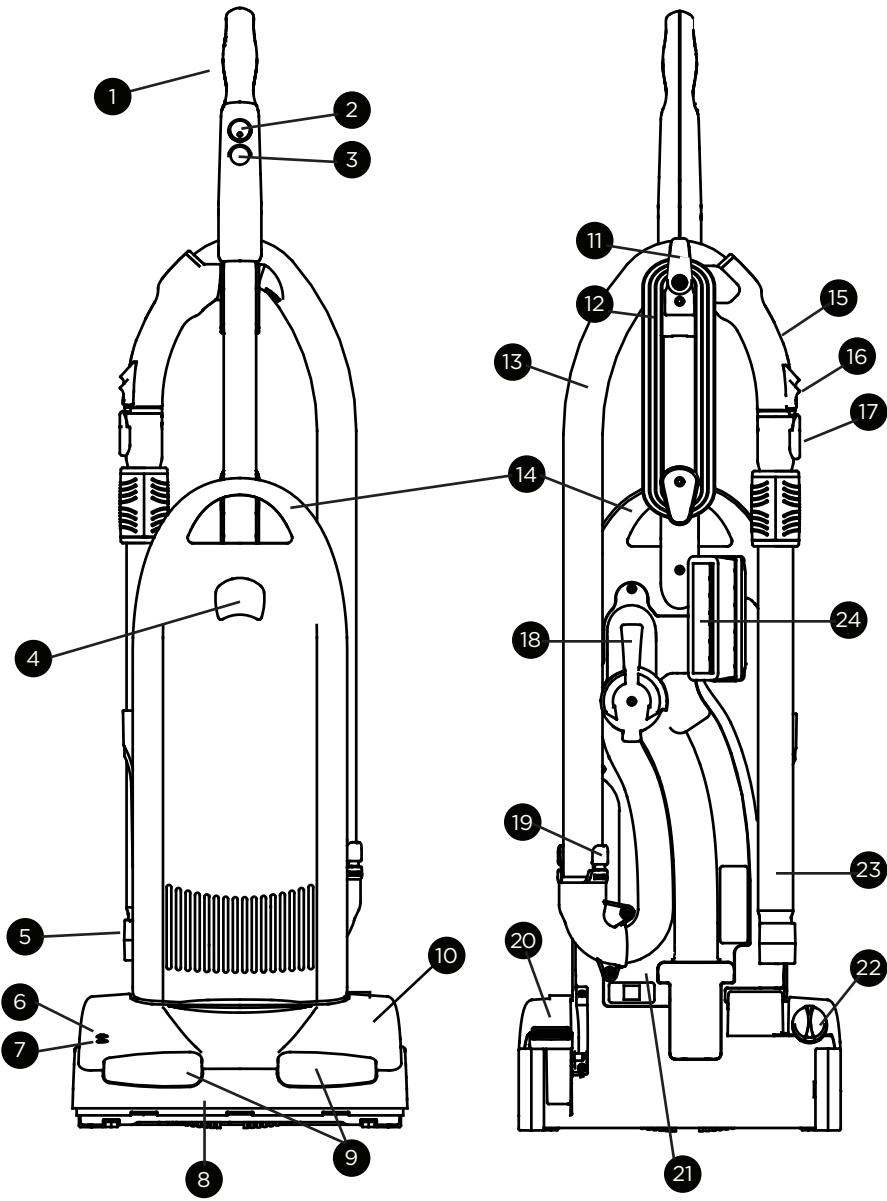
POLARIZATION INSTRUCTIONS

Power Cord, 2-Wire Polarized Cord

To reduce the risk of electric shock, this product is equipped with a polarized alternating current line plug (a plug having one blade wider than the other). This plug will fit into the power outlet only one way. This is a safety feature. If you are unable to insert the plug fully into the outlet, try reversing the plug. If the plug should still fail to fit, contact a qualified electrician to replace the obsolete outlet. Do not defeat the safety purpose of the polarized plug.



DESCRIPTION OF THE VACUUM



DESCRIPTION OF THE VACUUM

- 1 ComfortGrip™ Handle
- 2 Main On/Off Power Switch
- 3 Carpet Button
- 4 Bag Compartment Latch (to Replace Vacuum Bag and Filters)
- 5 Crevice Tool
- 6 Full Bag Indicator
- 7 Brushroll Jam Indicator
- 8 Furniture Guard
- 9 LED Headlights
- 10 Vacuum Nozzle
- 11 Quick Release Upper Cord Hook
- 12 Power Cord
- 13 Stretch Hose
- 14 Carrying Handle
- 15 Hose Handle
- 16 Suction Release Valve
- 17 Wand Release Button
- 18 Tool Activation Dial
- 19 Hose Disconnect Cuff
- 20 Handle Release Pedal
- 21 Thermal Motor Protection Reset Button
- 22 Carpet Height Adjustment Dial
- 23 Telescopic Wand
- 24 Combination Dusting/Upholstery Brush

ASSEMBLING THE VACUUM

Attaching the Handle to the Vacuum

NOTE: Do not plug in the vacuum until it is completely assembled.

The vacuum cleaner and the handle are packed separately and require assembly.

- Remove the handle screw located on the back of the vacuum (Fig. 1). Insert the handle downward into the body of the vacuum (Fig. 2). Insert screw and tighten.
- Open the bag compartment cover to ensure a vacuum bag is in place.
- Your vacuum is now ready for use.
- When storing the vacuum, wrap the cord clockwise around the top and bottom cord hooks. Fasten the plug to the wrapped cord using the channel on the plug.

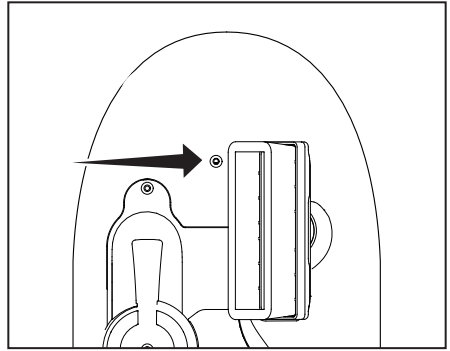


Fig. 1

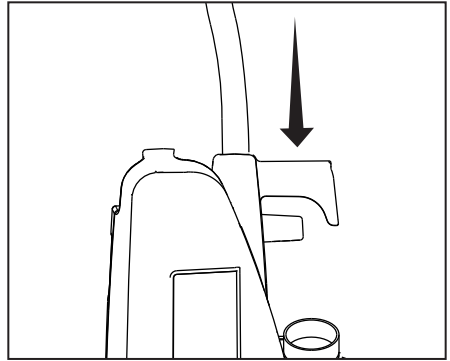


Fig. 2

Unwinding the Power Cord

- The Quick Release Upper Cord Hook rotates to allow for quick access to the power cord. Turn the upper cord hook downward and you can quickly drop the power cord to the floor without unwinding it from the cord hooks (Fig. 3).
- When storing the vacuum cleaner, turn the Quick Release Upper Cord Hook to the upright position and wrap the power cord around the cord storage hooks.

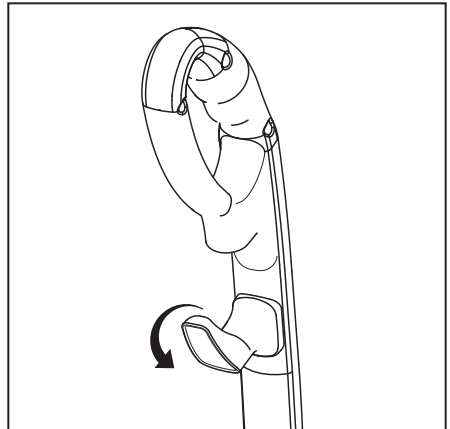


Fig. 3

OPERATION

This vacuum is intended for household use only.

Reclining the Handle

Press the Handle Release Pedal with your foot to recline the handle.

Vacuuming Carpet

For carpet cleaning, push the On/Off Switch to the “On” position. The Carpet Button will illuminate indicating the carpet cleaning setting is on (Fig. 1). The carpet cleaning setting will remain on until the Carpet Button is pushed and the button is no longer illuminated.

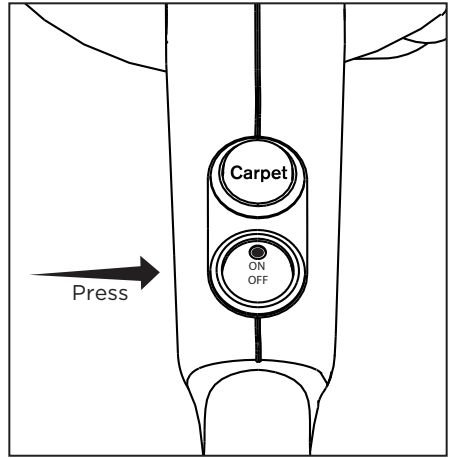
Bare Floor Cleaning

For bare floor cleaning (i.e. tile, wood, or vinyl), push the On/Off Switch to the “On” position. Push the Carpet Button. The Carpet Button will no longer be illuminated indicating the carpet setting is off and the bare floor setting is on (Fig. 2).

Brushroll Auto Shut-Off Feature

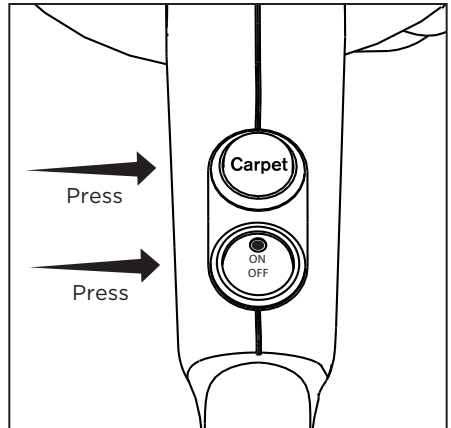
When the vacuum is turned on and in the upright position, the brushroll will not spin to reduce the possibility of damaging flooring surfaces. The brushroll will spin when the handle is lowered, if the Carpet Button is illuminated.

Always turn the vacuum cleaner off before unplugging it from the electrical outlet.



Carpet Cleaning

Fig. 1



Bare Floor Cleaning (Wood, Tile, etc.)

Fig. 2

OPERATION

Carpet Height Adjustment

There are various carpet height settings designed for numerous flooring surfaces.

- Locate the height adjustment dial just above the right rear wheel, and rotate the dial to the desired height.

Max Shag/Frieze or similar length carpet

X Hi Plush carpet

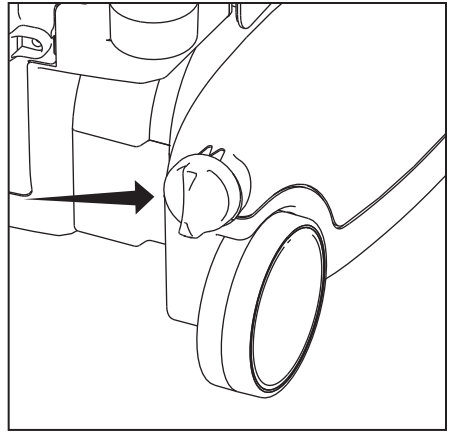
High Medium pile carpet

Auto General setting

Floor Hard floors

Low Low pile carpet

- If it becomes difficult to push the vacuum across the carpet, adjust the dial to a higher carpet setting.



Vacuuming Under Furniture

Your vacuum will lay flat on the floor for effective cleaning under beds and tables.

- Press the Handle Release Pedal once for normal vacuuming (Fig. 1).
- Press the Handle Release Pedal a second time to enable the vacuum to lay flat on the floor (Fig. 2).

Carrying the Vacuum

To safely transport your vacuum, especially when carrying the vacuum up and down stairs, use the Carrying Handle located at the top of the bag compartment (Fig. 3).

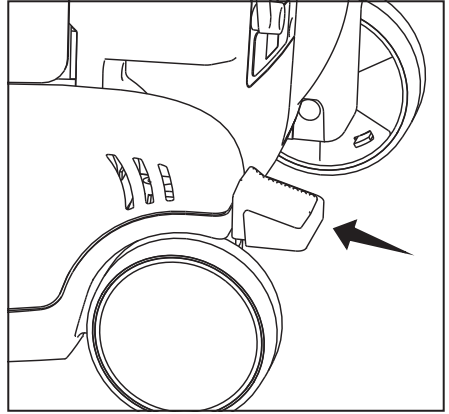


Fig. 1

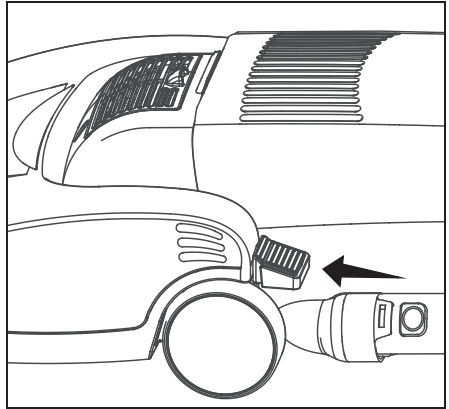


Fig. 2

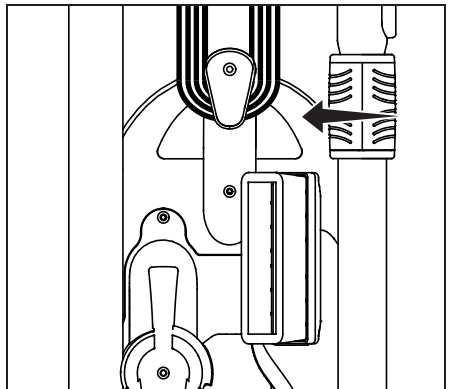


Fig. 3

ATTACHMENT CLEANING

Wand Cleaning

Your vacuum is a comprehensive cleaning system equipped with an upholstery tool, dusting brush, crevice tool, telescopic wand and a stretch hose.

- Remove the Telescopic Wand from the body of the vacuum by pulling it up and out of the holder (Fig. 1).
- Turn the Tool Activation Dial counter-clockwise to the “Tools On” setting (Fig. 2). The Telescopic Wand is now activated for quick cleaning.
- Extend the wand by grasping the wand cuff and pushing outward to the desired length (Fig. 3).
- Attach any of the tools to the end of the Telescopic Wand.
- When finished with tool/wand cleaning, turn the Tool Activation Dial clockwise to the “Tools Off” setting (Fig. 4). Insert the wand back into the vacuum and secure it by pushing the curved handle into the holder.

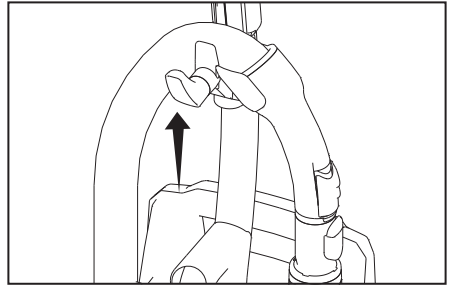
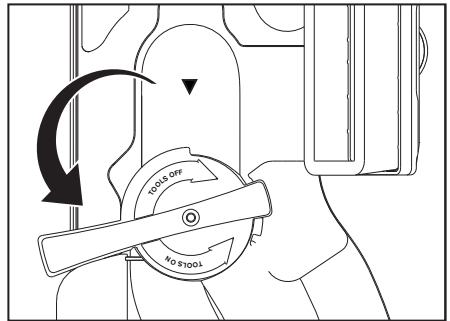


Fig. 1



Tools On
Fig. 2

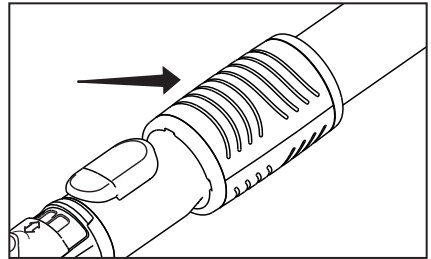
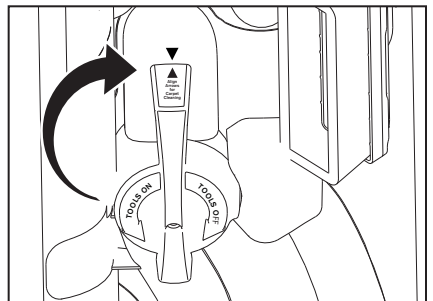


Fig. 3



Tools Off
Fig. 4

ATTACHMENT CLEANING

Cleaning Tools

Your vacuum is equipped with a dusting brush, upholstery tool and crevice tool.

- Remove the cleaning wand from the vacuum and turn the Tool Activation Dial to the "Tools On" setting (See page 10).
- Attach any of the tools onto the end of the telescopic wand.

Fur-Get-It!

Pet Hair Remover Tool (R30PET model)

Ideal for removing pet hair from upholstery, stairs and vehicles.

Dusting Brush

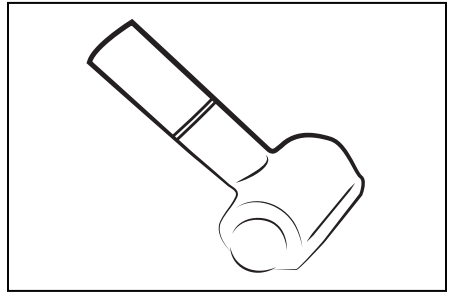
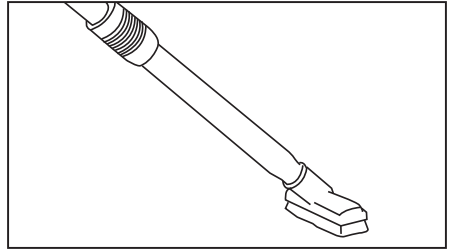
Ideal for table tops, shelves and blinds.

Upholstery

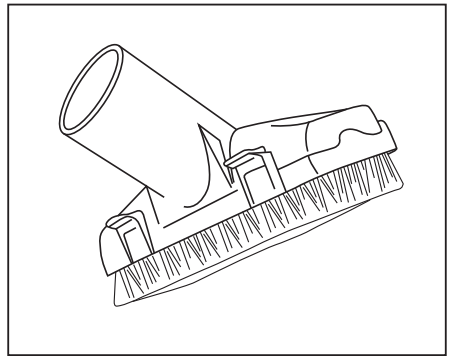
Tool Ideal for soft surfaces like chairs and couches. Remove the dusting brush clip for upholstery cleaning.

Crevice Tool

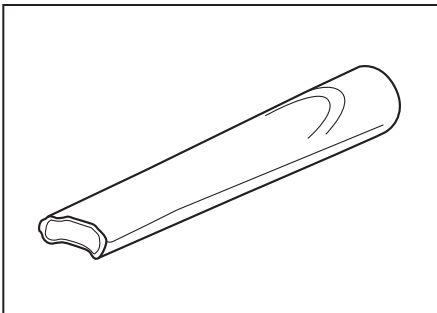
Ideal for tight places like between seat cushions or corners.



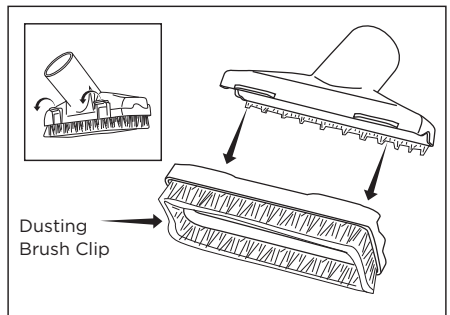
Pet Hair Removal Tool



Dusting Brush



Crevice Tool



Dusting Brush Clip

Upholstery Tool

ATTACHMENT CLEANING

Cleaning Tools (continued)

Cleaning tools can also be attached to the curved handle for tasks where the wand is not needed.

- Disconnect the wand from the curved handle by pressing the Wand Release Button (Fig. 1).
- Attach any of the cleaning tools directly to the curved handle.

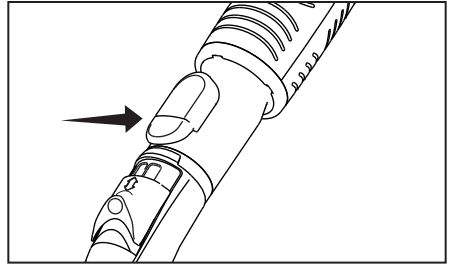


Fig. 1

Adjusting the Suction Power for Tool Cleaning

Full suction power may be too strong for some cleaning situations. For example, reduced suction power would be appropriate for cleaning sheer curtains.

- On the curved handle, locate the Suction Relief Valve and slide it backward (Fig. 2). This reduces the suction power coming through the tool. Slide the valve forward when finished to restore full suction power.

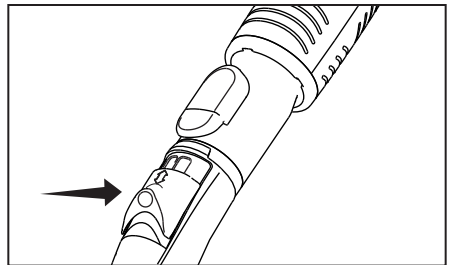


Fig. 2

Disconnecting the Hose

The hose can be disconnected from the vacuum by pressing the two buttons on the sides of the Hose Disconnect Cuff located low on the back of the vacuum (Fig. 3).

This allows you to attach an optional extension hose for longer reach and is also a method for removing debris from the hose.

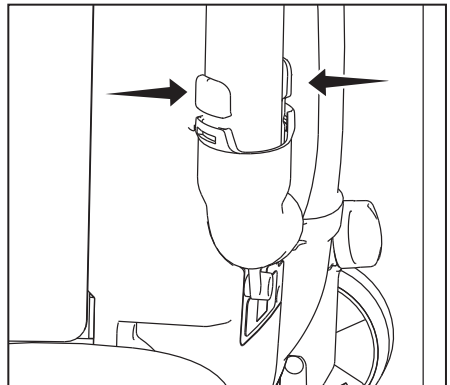


Fig. 3

Annual Checkup

To keep your vacuum in peak operating condition, it is recommended you bring your vacuum to an Authorized Riccar Vacuum Retailer for an annual checkup. The Retailer will conduct a comprehensive examination to ensure your vacuum is in top operating condition.

Power Cord Care

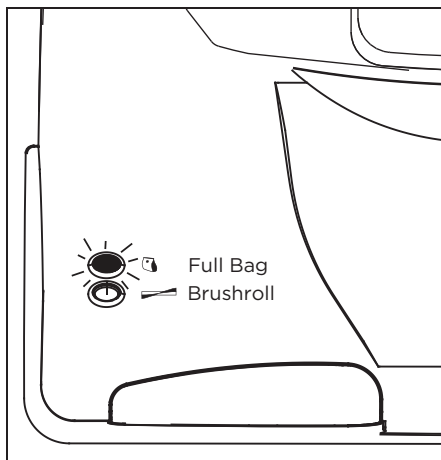
- If the cord or plug has any apparent damage, refrain from using the vacuum. Please visit an Authorized Riccar Vacuum Retailer for a new cord or plug.
- When the vacuum is in use, hold the cord to keep from running over it.
- Avoid obstructions and do not pull the cord around sharp edges or corners.
- Always keep the cord away from heated surfaces and never close doors on it as this may cause damage to the wiring.
- To unplug, always grasp the plug, not the cord.

When to Change the Vacuum Bag

The Full Bag Indicator Light is designed to show when the bag is full or when there is a clog in the vacuum.

The light could also come on when vacuuming fine powders such as flour or drywall dust. These materials can quickly block the bag pores, significantly reducing airflow before the bag is actually full. The vacuum bag should still be changed.

The light may also come on during attachment cleaning. If the light goes off when attachments are no longer in use, the vacuum bag does not need to be changed.



Yellow Warning Light Indicates a Full Bag Condition

NOTE: The vacuum bags are disposable and intended to only be used once. Do not attempt to reuse the bag, as suction and filtration performance will be greatly reduced.

MAINTENANCE AND CARE

Replacing the Vacuum Bag

NOTE: Unplug the vacuum cleaner from the electrical outlet before changing the bag.

- Open the bag compartment by lifting up the latch on the bag compartment cover.
- Remove the used vacuum bag by pulling the blue bag collar tab away from the vacuum (Fig. 1). Slide the used bag out of the holder which automatically seals the bag (Fig. 2). Discard the used bag.
- To install a new bag, slide the bottom of the blue bag collar into the bag holder until it “snaps” into place (Fig. 3).
- Push the top of the bag collar upward until the bag holder “snaps” into place on the vacuum (Fig. 4).
- Tuck the bag corners into the bag compartment before replacing the bag compartment cover.
- Replace the bag compartment cover and press down on the latch to secure it into place.

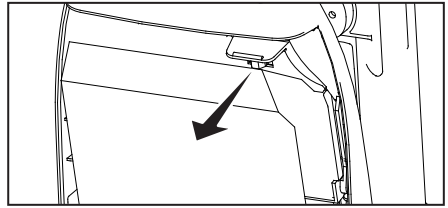


Fig. 1

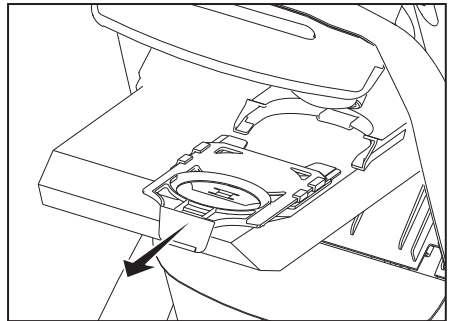


Fig. 2

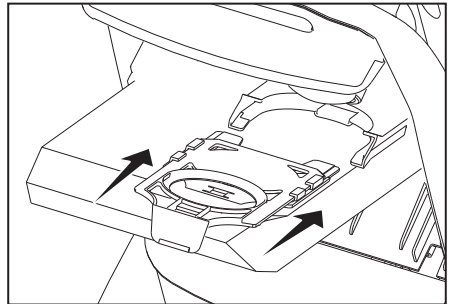


Fig. 3

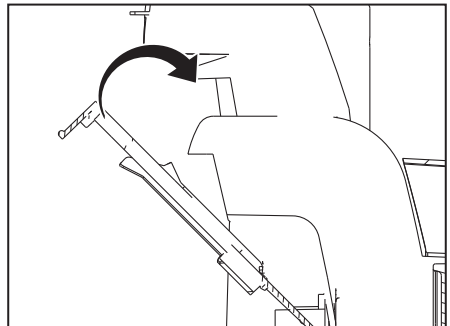


Fig. 4

MAINTENANCE AND CARE

When to Change the Filters

NOTE: Unplug the vacuum cleaner from the electrical outlet before changing the filters.

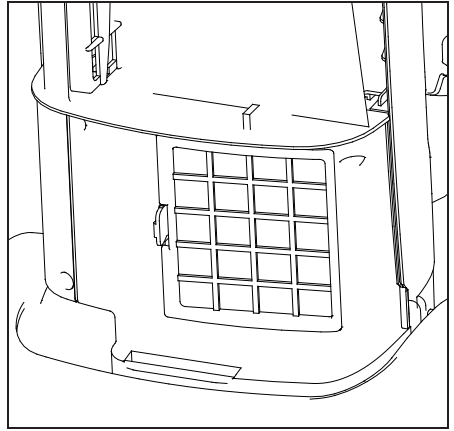
At minimum, it's recommended to replace the filters once a year or after using 12 vacuum bags, whichever comes first.

If someone in your household is sensitive to airborne allergens, it is recommended to change the filters after every six vacuum bags.

Replacing the HEPA Media Filter

- Remove the bag compartment cover.
- Locate the HEPA Media Filter on the front of the vacuum.
- Grasp the tab on the left to remove the used filter and discard it.
- To insert a new filter, position the tabs on the right side of the cartridge into the vacuum. Then snap it into place.
- Replace the bag compartment cover and press down on the latch to secure it into place.

NOTE: Filters cannot be washed and reused.



MAINTENANCE AND CARE

Replacing the Charcoal Filter (R30D model)

- Remove the bag compartment cover and locate the filter on the left side of the bag compartment.
- Pull the front tab away from the vacuum to remove the filter holder (Fig. 1).
- Remove and throw away the used charcoal filter.
- Insert a new charcoal filter under the tabs in the holder. Then align the back of the filter holder into the vacuum first and snap it into place behind the tab.
- Replace the bag compartment cover and press down on the latch to secure it into place.

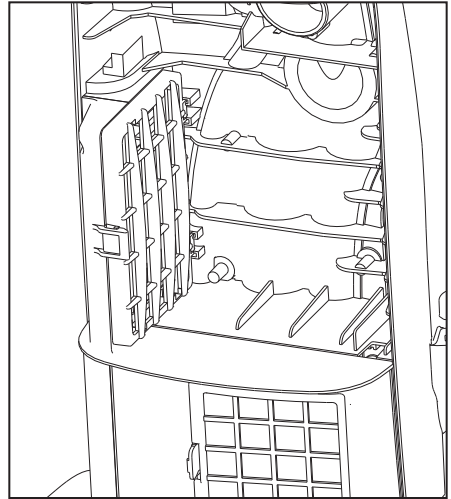


Fig. 1

Replacing the Granulated Charcoal Filter (R30PET model)

- Open the bag compartment lid and locate the filter on the left side of the bag compartment.
- Use the latch on the side to remove and discard the entire filter cartridge.
- Insert a new granulated charcoal filter cartridge and snap it into place behind the tab.
- Close the bag compartment cover and press down on the latch to secure it into place.

NOTE: Filters cannot be washed and reused.

Replacing the Direct Air Motor Filter

- Press the handle release pedal with your foot, and tilt the handle back until it stops. Press the pedal again to lower the handle to the floor (Fig. 1).
- Pull the black filter cover latch to access the filter (Fig. 2).
- Remove and discard the used filter.
- Insert a new direct air motor filter and snap the filter cover back into place.
- Return vacuum handle to its upright position.

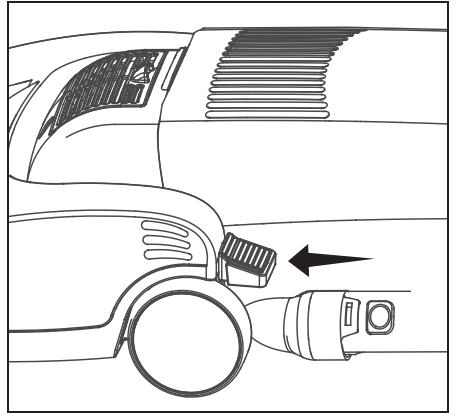


Fig. 1

Lifetime Belt

Your vacuum belt is covered with a lifetime warranty. Should the vacuum belt break, simply bring your vacuum to your Authorized Riccar Vacuum Retailer for a free replacement.

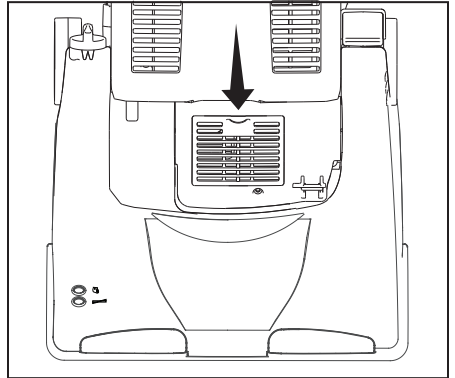


Fig. 2

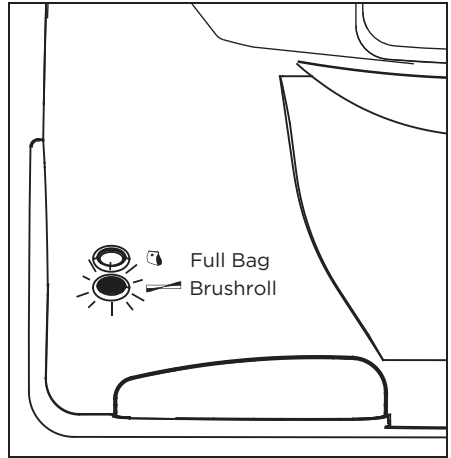
MAINTENANCE AND CARE

Jammed Brushroll

CAUTION! To Reduce the Risk of Injury From Moving Parts, Unplug Before Servicing.

If an object, such as a throw rug or article of clothing is ever picked up into your vacuum, the vacuum will sense this jammed brushroll condition and turn off the brushroll. When this happens, the Brushroll Jam Indicator on the top of the nozzle will light up in red.

- Turn off and unplug the vacuum.
- Remove the cause of the jam.
- Turn the vacuum back on.
- If the brushroll is free of obstructions and the Brushroll Jam Indicator is still lit, it's likely the clogged condition is located in the vacuum motor fan. If so, please take your vacuum to an Authorized Riccar Vacuum Retailer for service.



Red Warning Light Indicates a Jammed Brushroll Condition

Thermal Motor Protection

CAUTION! To Reduce the Risk of Injury From Moving Parts, Unplug Before Servicing.

Your vacuum is equipped with a safeguard to recognize when the vacuum might overheat and shuts itself off. When this happens the headlights are still on but the motors shut off. Common reasons why a vacuum may overheat include operating with a full bag or when there is a clog in the vacuum.

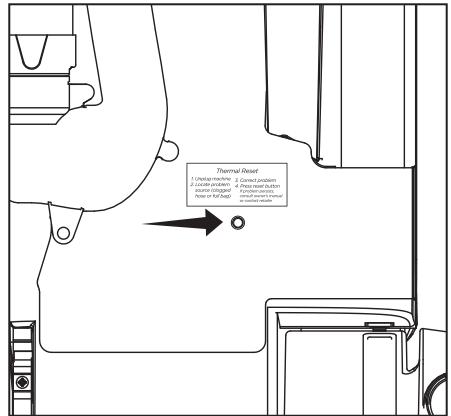
If the Thermal Motor Protection System shuts off your vacuum, follow these steps:

- Unplug the vacuum.
- Inspect the vacuum for a full bag condition or a hose clog and correct the problem.
- Locate the Thermal Motor Protection Reset Button on the back of the vacuum. Press the button and resume vacuuming.

If problem continues, contact your Authorized Riccar Vacuum Retailer.

Thermal Reset

1. Unplug machine
2. Locate problem source (clogged hose or full bag)
3. Correct problem
4. Press reset button. If problem persists, consult owner's manual or contact retailer.



PROBLEM SOLVING GUIDE

Troubleshooting

WARNING! To reduce the risk of electrical shock or injury from moving parts, unplug the vacuum before servicing or cleaning the vacuum.

CAUTION! To Reduce the Risk of Electric Shock, Do Not Handle Plug or Appliance with Wet Hands.

| PROBLEM | CHECK POINT | POSSIBLE SOLUTION |
|--------------------------------------|------------------------|---|
| Vacuum won't turn on. | Power Cord | Plug unit in firmly. |
| | House Fuse or Breaker | Check house fuse or breaker. Replace fuse/reset breaker. |
| | Needs Service | Take to an Authorized Riccar Vacuum Retailer. |
| Vacuum won't pick up or low suction. | Carpet Button | Press "Carpet" button on - it will illuminate when it's on. |
| | Vacuum Bag | Replace full bag. |
| | Filter | Replace clogged filter. |
| | Hose | Remove obstacle. |
| | Brushes | Replace brush strips. |
| | Belt | Take to an Authorized Riccar Vacuum Retailer. |
| Dust escaping from vacuum | Tool Activation Dial | Turn Tool Activation Dial to "Off" position for carpet and bare floor cleaning. |
| | Dust compartment cover | Attach the dust compartment cover and secure latch. |
| | Filter | Review filter installation (pages 15-17). |

Any other service should be performed by an Authorized Riccar Vacuum Retailer.

To locate your nearest Authorized Retailer, visit our website at Riccar.com or call 888-674-2227.

Key Replacement Parts

- Genuine HEPA Media Vacuum Bags: RNH-6
- Genuine Filter Sets: SF30P (R30PET model), SF30D (R30D model)

For Best Performance

- Keep your vacuum clean and in good operating condition.
- Change the vacuum bag once a month or when the full bag light is illuminated to maximize cleaning performance.
- Always use genuine Riccar vacuum bags and replacement parts. Use of other products may result in poor cleaning performance, potential vacuum cleaner damage and may void vacuum warranty. Genuine products are designed for maximum cleaning performance.
- Have your vacuum checked annually by your Authorized Riccar Vacuum Retailer.
- Store your vacuum carefully in a dry area.
- For optimum cleaning performance and safety, follow your owner's manual instructions.

WARRANTY

What is Covered:

This warranty covers any defects in material and workmanship in your new vacuum and applies exclusively to the original purchaser.

How Long Coverage Lasts:

Warranty coverage for your R30PET model lasts seven years. Warranty coverage for your R30D model vacuum lasts six years. Household models used commercially are only warranted for 90 days.

What is Not Covered:

- Damage to the vacuum which occurs from neglect, abuse, alterations, accident, misuse or improper maintenance.
- Normal replacement items: disposable bags, disposable filters and agitator brushes.
- Damage associated with or resulting from the use of non-genuine parts including normal replacement items.

What We Will Do:

This warranty provides, at no cost to you, all labor and parts to keep this vacuum in correct operating condition during the warranted period.

How to Get Service:

Warranty service can only be obtained by presenting the vacuum to an Authorized Riccar Retailer. A proof-of-purchase and product serial number will be required before service is rendered. To locate your nearest service center, please call 888-674-2227 or visit Riccar.com.

THIS WARRANTY IS EXCLUSIVE AND IN LIEU OF ANY AND ALL OTHER WARRANTIES WHETHER WRITTEN, ORAL, EXPRESSED OR IMPLIED, (INCLUDING ANY WARRANTY OF MERCHANTABILITY OR FITNESS FOR A PARTICULAR PURPOSE). THIS WARRANTY DISCLAIMS LIABILITY FOR INCIDENTAL OR CONSEQUENTIAL DAMAGES.

How State Law Applies:

This warranty gives you specific legal rights, and you may also have other rights which vary from state to state.

Owner's Warranty Information (keep this for your records)

Store name _____

Store Address _____ City _____ State _____ Zip _____

Telephone _____ Date of purchase _____

Serial number _____ Model number _____

Register your warranty online at **Riccar.com**

RICCAR®

Riccar.com
888-674-2227

1760 Gilsinn Lane
Fenton, MO 63026